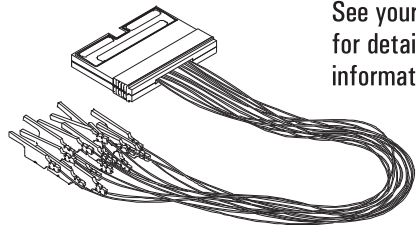




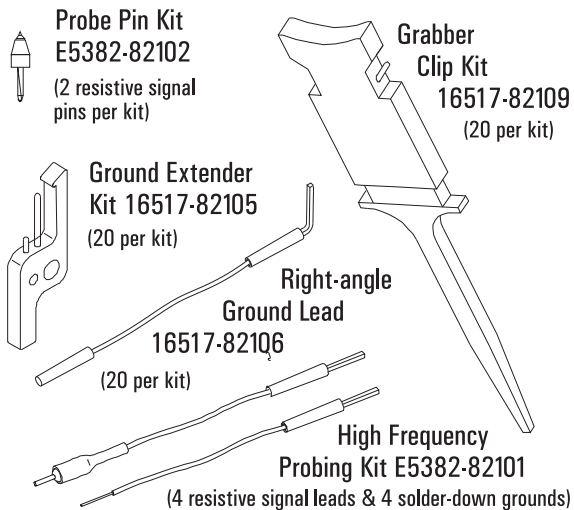
Agilent Technologies

E5382A Single-ended Flying Lead Probe Set



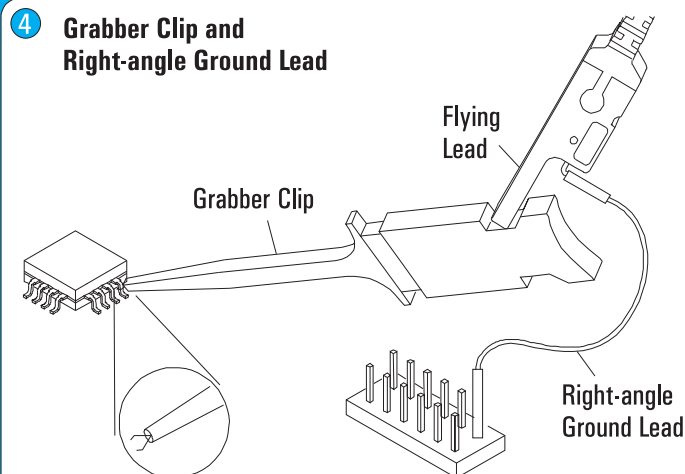
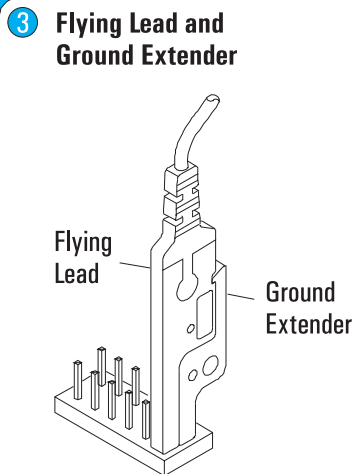
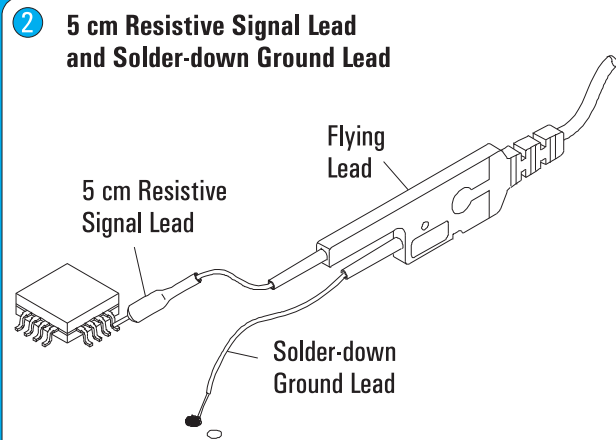
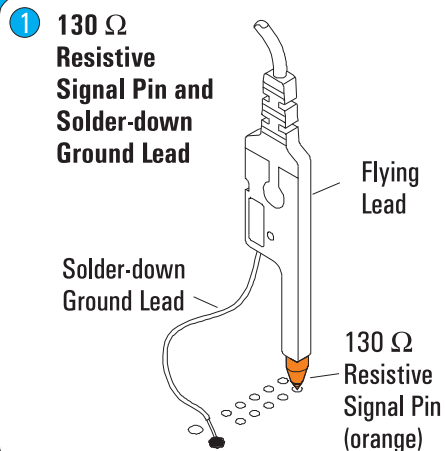
See your manual for detailed information.

Accessories



Recommended Probe Configurations

The following configurations are shown in the order of best performance.



Agilent Technologies
Printed in USA

Part Number
E5382-92000

